



**Steel**

Kibbi, LLC, 52216 SR 15, Bristol, Indiana 46507 USA

www.westsidemotorcoach.com

Job #: T12-1994 REV:

VIN #: 1K9500N3XJ1160110

**Production Order**

Dealer: Westside Motorcoach

Salesman: Bob Dill

Phone: (847) 812-2972

fax: (815) 923-0101

Customer Name: Stock

Date Written: 4/18/2017

Date Processed:

Description	Color	UOM	Qty	Price
<b>Base</b>				
28' Renegade Tag Ramp Door Steel / FRP Trailer		EA		
<b>IT28R - 100"W x 137"H, 24150# GVWR</b>				
<b>Running Gear</b>				
(3) 7K TIMBREN SILENT RIDE AXLES - LT235/85R16 TIRES - ELEC. DRUM BRAKES, HWT WHEELS		EA		
SPARE TIRE - 16" WHEELS		EA		
42" Spread Axles w/Polished Fenders(Available on Torsion, Silent Ride, 8K & 10K Air Ride Axles Only)		EA		
<b>Couplers &amp; Jacks</b>				
12K Hydraulic Tongue Jack		EA		
RV 25K - 2 5/16" COUPLER - TAG / V-NOSE		EA		
<b>Flooring &amp; Tie-Downs</b>				
Black Tuff Ply		EA		
5K D-Ring		EA	2	
<b>Front corners near cabinets</b>				
<b>Doors</b>				
9'H X 97" W 6K# Rear Ramp Door		EA		
36" X 60" Ramp Door Flaps		EA		
Bulldog Hoist Closure		EA		
54" W Double Entry Door		EA		
55" SQ. Escape (not for 22.5" Wheels)		EA		
Pull Out Step		EA		
<b>Lifts</b>				
Gemini 16' Tube Frame Solid Floor Lift - 6K		EA		
---Skin Bottom of lift, middle & C/S to match entire bottom				



**Steel**

Kibbi, LLC, 52216 SR 15, Bristol, Indiana 46507 USA

Tel. 574-848-1126 Fax 574-848-1127

www.renegaderv.com

Job #: T12-1994 REV:

VIN #: 1K9500N3XJ1160110

**Production Order**

Dealer: Westside Motorcoach

Salesman: Bob Dill

Phone: (847) 812-2972

Fax: (815) 923-0101

Customer Name: Stock #1

Date Written: 4/18/2017

Date Processed:

Description	Color	UOM	Qty	Price
<b>Electrical</b>				
Backup Camera		EA		
Add'l Interior 2100 Lumen LED light		EA	3	
<i>recessed lighting in center of lift</i>				
Exterior 2500 Lumen LED light		EA	2	
<b>Rear</b>				
Exterior 5000 Lumen LED light		EA	2	
<b>Exterior C/S, evenly spaced</b>				
---Rear 2500 Lumen LED's - operated by switch & reverse lights				
<b>Air</b>				
Air Prep & 3 lines (110V)		EA		
<b>Interiors</b>				
(2) Strap Hangers		EA		
---Powdercoat Black - lift & accessories				
<b>Aluminum Cabinet Fronts w/ FRP Sides (per foot)</b>				
Alum/FRP (TAG) - Front Wall Pkg - 6' OHC & Base, 2' Closet Upgrade		EA		
---Cabinets - Silver Vein w/Black Frames				

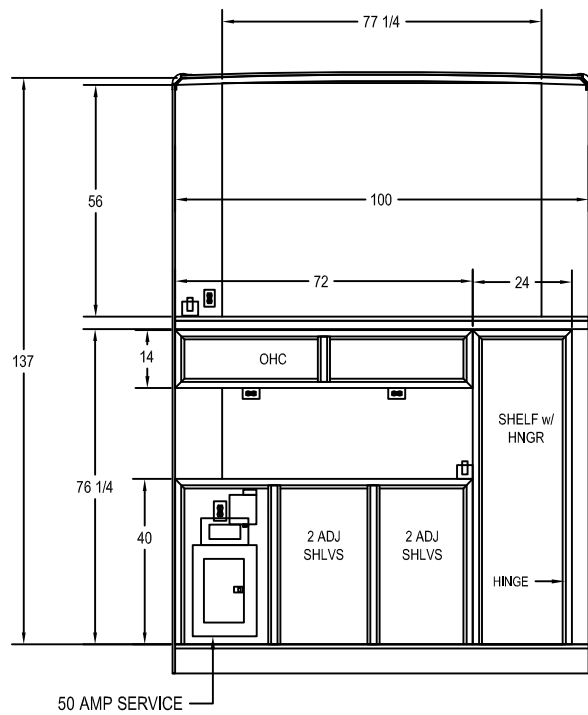
**Order Notes:**

**NOTE:** Due to continued improvement & changes in suppliers, design & production: equipment, colors, material specifications, prices & model availability are subject to change without notice. Changes made to confirmed orders are subject to a change order fee of up to \$1500.

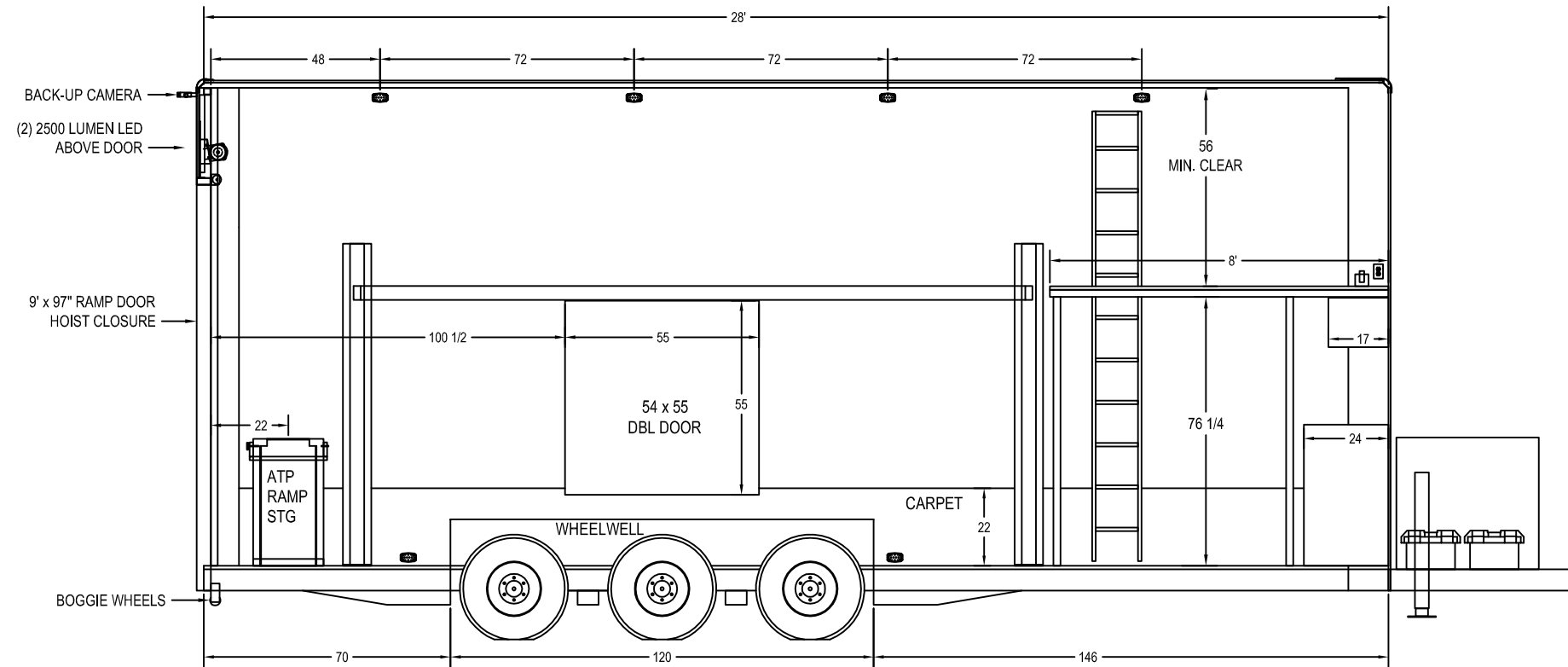
Rev: 04/2/2012

Please Sign Here To Confirm Order:

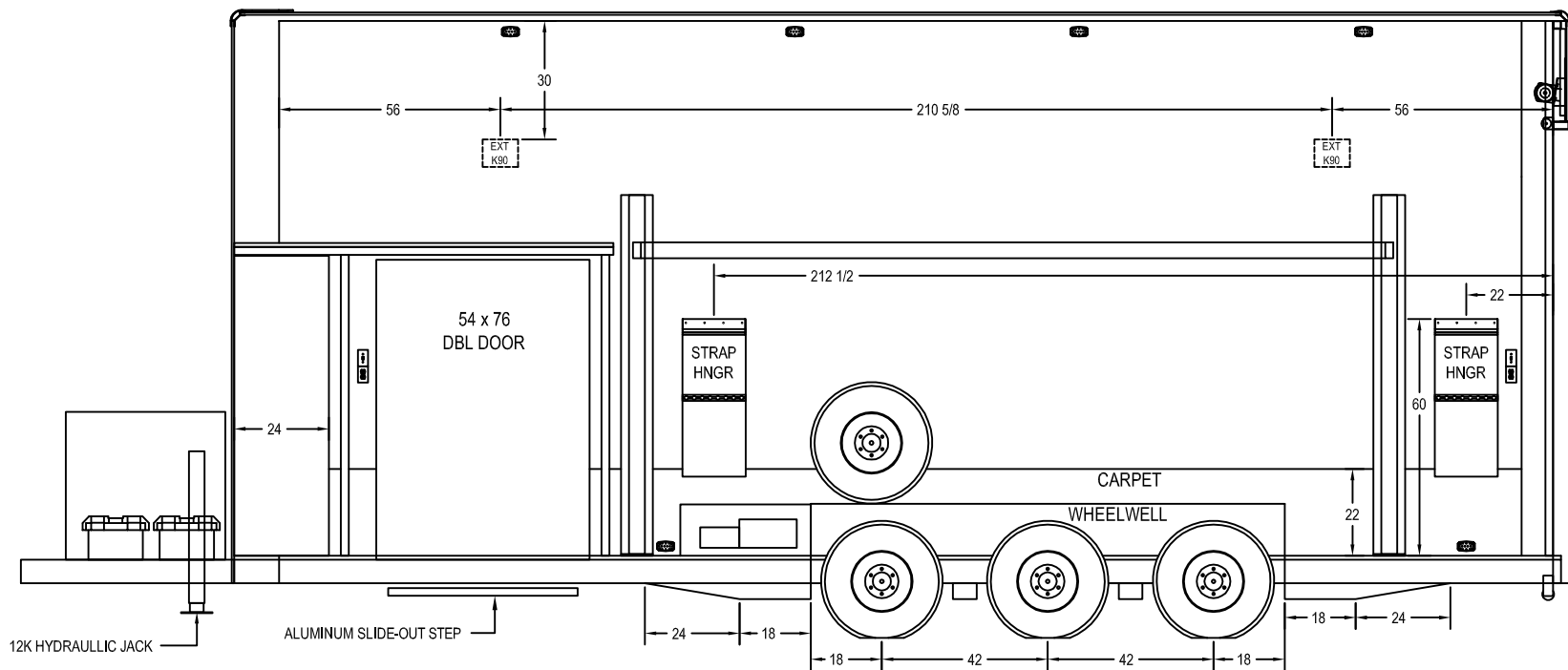
Base: \_\_\_\_\_  
 Options: \_\_\_\_\_  
 Paint: \_\_\_\_\_  
 Freight: \_\_\_\_\_  
 Discount: \_\_\_\_\_



FRONT WALL VIEW



ROADSIDE INTERIOR WALL VIEW



CURBSIDE INTERIOR WALL VIEW

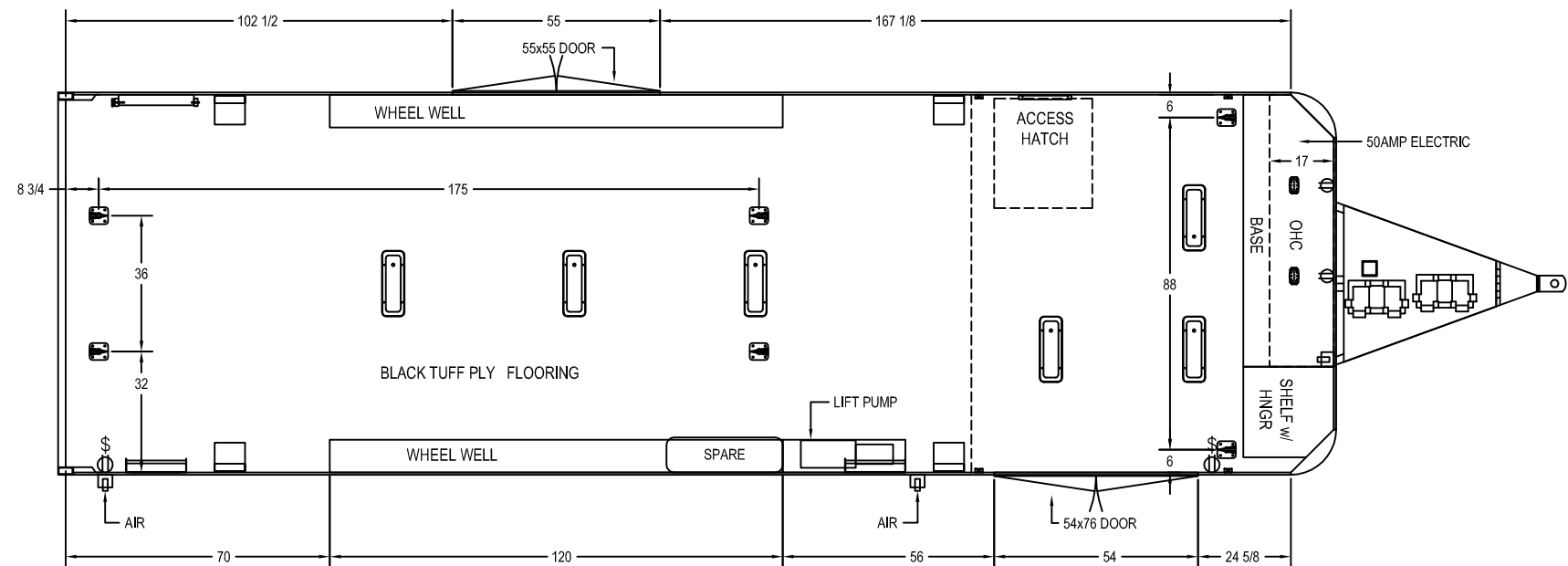
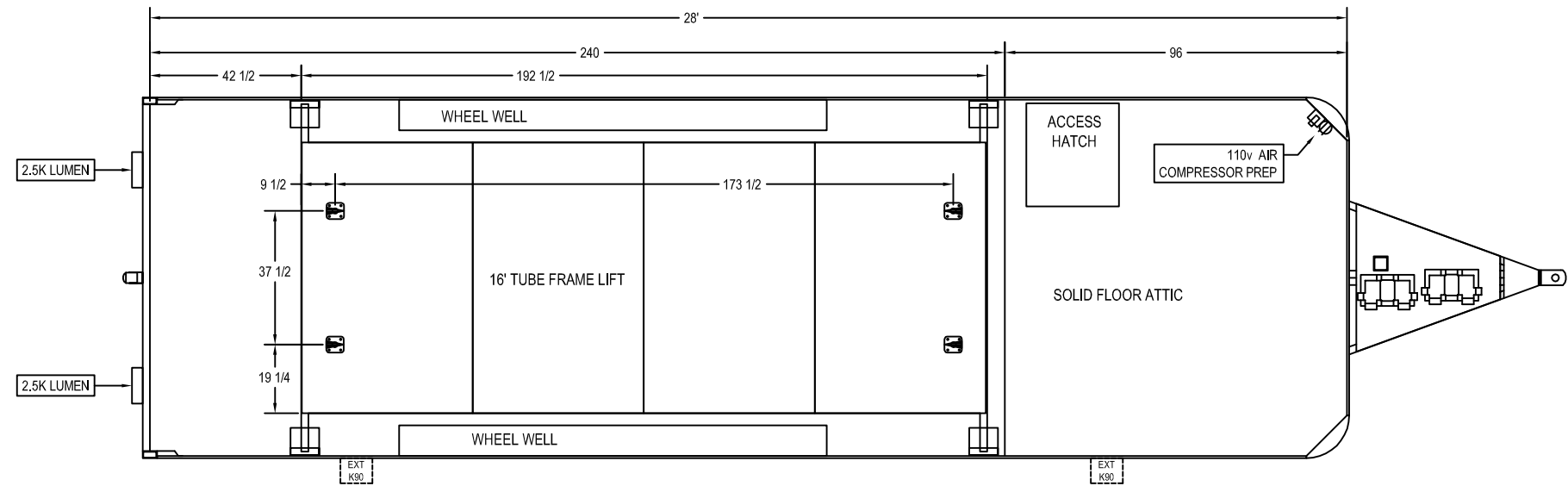
Features depicted on this drawing are representative only and may not reflect, exactly, the actual finished product

**PRELIMINARY**  
NON-PRODUCTION PRINT  
FOR R&D USE ONLY  
04-20-17

**CUSTOMER APPROVAL**  
APPROVED BY: \_\_\_\_\_  
APPROVED DATE: \_\_\_\_\_

- = LIGHT SWITCH
- = RECEPTACLE
- = EXT. 5000 LUMEN LED
- = 12V 800 LUMEN LED
- = 12V 2100 LUMEN LED
- = 12V 12" LED STRIP LIGHT
- = AIR OUTLET

REV.	REVISION TABLE	DATE	APPROVED	UNLESS SPECIFIED ALL DIMENSIONS ARE IN INCHES	DRAWN BY	NAME	DATE	<i>Renegade / Kibbi</i>		
.01	MOVED AIR COMPRESSOR PREP TO ATTIC	04-21-17	MP	TOLERANCES FRACTIONAL: ± 1/16 ANGULAR: ± 1 degree TWO PLACE DECIMAL: ± .010	MP	MP	04-20-17			
				ORDER REV		WESTSIDE		MODEL	IT28R	REV
				DO NOT SCALE DRAWING		STOCK		UNIT #	T12-1994	
								DRAWING	INTERIOR ELEVATION	.01
								SCALE	DATE	SHEET 1 of 1



**PRELIMINARY**  
NON-PRODUCTION PRINT  
FOR R&D USE ONLY  
04-20-17

**CUSTOMER APPROVAL**  
APPROVED BY: \_\_\_\_\_  
APPROVED DATE: \_\_\_\_\_

- = LIGHT SWITCH
- = RECEPTACLE
- = EXT. 5000 LUMEN LED
- = 12V 800 LUMEN LED
- = 12V 2100 LUMEN LED
- = 12V 12" LED STRIP LIGHT
- = AIR OUTLET

Features depicted on this drawing are representative only and may not reflect, exactly, the actual finished product

REV.	REVISION TABLE	DATE	APPROVED	UNLESS SPECIFIED ALL DIMENSIONS ARE IN INCHES	DRAWN BY	NAME	DATE	<i>Renegade / Kibbi</i>					
.01	MOVED AIR COMPRESSOR PREP TO ATTIC	04-21-17	MP	TOLERANCES FRACTIONAL: ± 1/16 ANGULAR: ± 1 degree TWO PLACE DECIMAL: ± .010	MP	MP	04-20-17	THIS DRAWING IS PROVIDED ON A CONFIDENTIAL BASIS SUBJECT TO RETURN ON DEMAND TO RENEGADE / KIBBI LLC. WHICH RETAINS ANY AND ALL RIGHTS ASSOCIATED WITH IT AND THE ARTICLE OR ARTICLES IT REPRESENTS. DISCLOSURE, REPRODUCTION OR ALTERATION OF ANY PART OF THIS DRAWING, MANUFACTURE, USE OR SALE OF THE ARTICLE OR ARTICLES REPRESENTED IS PROHIBITED WITHOUT THE PRIOR WRITTEN AUTHORIZATION OF RENEGADE / KIBBI LLC.					
					DEALER	WESTSIDE							
					CUSTOMER	STOCK							
				ORDER REV				MODEL	IT28R				
				DO NOT SCALE DRAWING				UNIT #	T12-1994		REV		
								DRAWING	FLOORPLAN			.01	
								SCALE	DATE	SHEET	1	of	1



*Renegade*



Motorhomes  
Garage Units  
Toterhomes  
Stacker-  
Trailers

Nationwide  
Sales  
&  
Delivery

Truck Service  
& Parts

Financing



*Renegade*



11201 S. Grant Hwy  
Marengo, IL 60152

Call: Bob (847)812-2972

[www.westsidemotorcoach.com](http://www.westsidemotorcoach.com)